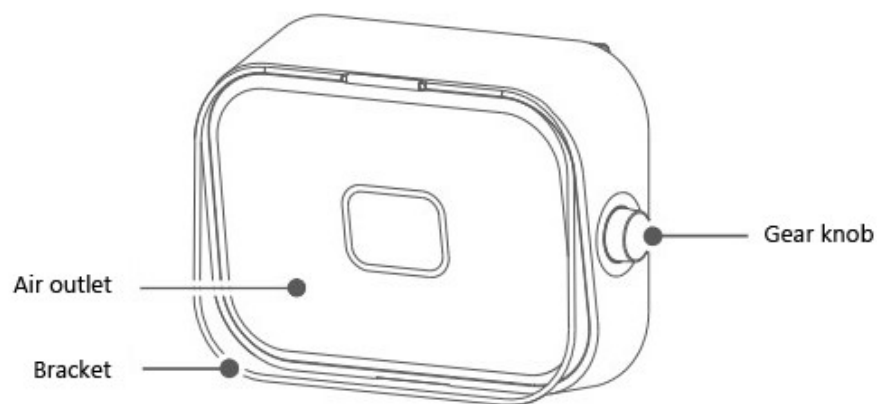


Product introduction

⚠ Note

The pictures in the manual are for reference only, and the specific objects in the packaging box shall prevail.

Part name



Remarks: The maximum load-bearing capacity of the bracket is 1kg.



Gear knob

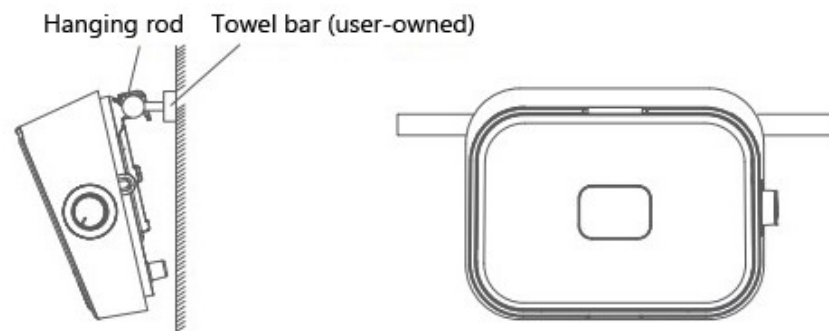
Installation instructions

Pay attention to first align the two protruding buckles of the hanging rod with the two small square holes on the back of the machine and then upward

There are two installation methods:

1 Installation method without screws

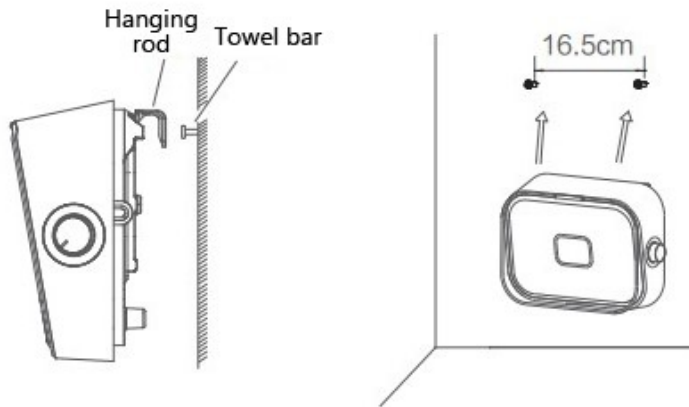
The heater can be hung directly on the towel bar through the hanging rod for use.



Screw-free installation method

2 Screw installation method

Use an electric drill to drill two holes with a horizontal distance of 16.5cm on the wall, then insert the nails into the holes, then hook the two holes on the back of the body to the pre-locked screws, and push the body to the right to make the screws fit into the hole position



Screw installation method

Note:

1. The hanging feet must be on the same horizontal line and the installation is reliable.
2. The wall-mounted body should be more than 50cm away from the side wall and other items, not within 60cm up and down. There must be a shelter to facilitate air convection.
3. The installation height of the product is not less than 180cm.
4. When installed and used next to bathrooms and swimming pools, the product must be prevented from slipping into the bathtub or shower, bath area and swimming pool.
5. The installation location should be as far away from the bathtub, sprinklers, and swimming pool as possible, and should be in the bathtub or in the shower. People in the bath area cannot touch switches and other controllers.

Instructions for use

Check before starting

- 1 Whether the power cord is in good condition.
- 2 The power supply used by this machine is 220V.
Before use, please confirm that the rated current of the power socket meets the requirements and has a safety grounding device, otherwise the socket should be replaced.

Turn on

Plug in the power plug, turn the gear knob, and select the desired function: it can be switched between three functions: cold air, low warm 1200W, high warm 2000W.

Turn off the heater

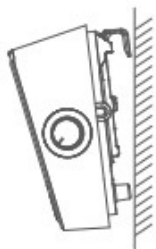
- 1 Rotate the gear knob to the "off" position.
- 2 Unplug the power plug and put the product away after the whole machine cools down.

Safety protection

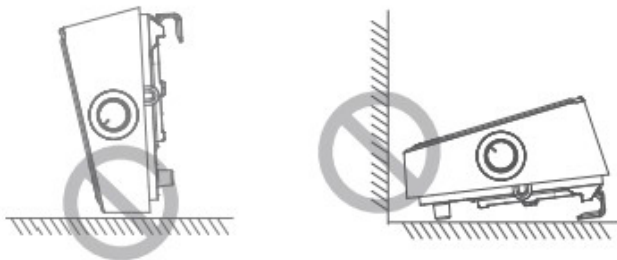
Overheating protection: When the internal temperature of the product is too high due to abnormal use environment or improper use, the temperature control element can automatically cut off the power supply and the product will stop working; After the exception is removed, normal use can be resumed.

Usage scenario description

Demonstration of recommended usage



Wall-mounted use



Do not use it on the ground

Do not use it against the wall

Including but not limited to illustrations, such use may pose security risks

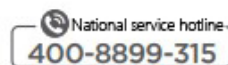
Cleaning and maintenance

Precautions

- Before cleaning this product, be sure to turn off the power switch and unplug the plug until the product is completely cool and clean it.
- After cleaning and maintenance, you must wait until it is fully dry before you can use it or collect it.
- Please unplug the power cord when not in use for a long time. It is recommended to pack it in its original packaging and collect it in a dry place.
- It is forbidden to rinse the fuselage directly with water. You can gently wipe it with a soft cloth containing a little neutral paint detergent, and then wipe dry. Do not use solvents such as gasoline.
- Avoid bumping or scratching the product to avoid surface coating damage and rust.

Service guide

Fault handling



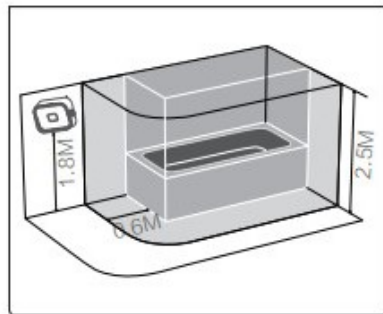
If the product does not work or is not functioning properly, please check first according to the list below. If the product does not work or the abnormal operation does not appear in the list below, the product may be malfunctioning. In this case, it is recommended that you send the product to the dealer or Midea service center for processing.

Fault phenomenon	Fault description
Power indication after power is turned on. The light is not on, it is not working	The plug is not plugged in, check whether the plug is inserted into the socket correctly.
	The gear knob is not rotated in place, check whether the gear knob is rotated to the on position.
	The temperature exceeds the national value of the thermostat, and the standby device can be used after cooling.

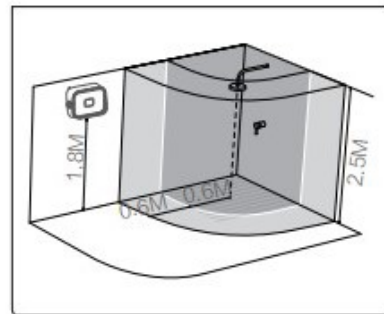
Safety warning

Safety precautions

- **Warning:** To avoid overheating, it is forbidden to cover the heater. This product is only suitable for indoor use and should not be used outdoors.
- It is forbidden to use the method of plugging (unplugging) the power cord to replace the power switch on and off.
- When the product is in normal use or idle, stay more than 1.5 meters away from the source of fire and fire, and avoid direct sunlight.
- It is forbidden to be near objects that are flammable, explosive, easily deformed, discolored, or deteriorated by heat, or have serious powder use in dusty places.
- It is forbidden to use in places where there are hanging objects that are easy to fall, susceptible to impact, or unstable placement. The product should be placed smoothly, please do not tip over or tilt.
- It is forbidden to immerse the product in water. Do not use the product around the bathtub, sprinkler head or swimming pool.



Scope of use of bathtub



Scope of use of nozzle

- It is strictly forbidden to insert fine metal wire or other foreign objects into any pores in the machine to avoid electric shock accidents.
- It is forbidden to put the product facing the power socket and the heater must not be placed directly under the power socket.
- It is strictly forbidden to share sockets with other high-power electrical appliances, and it is strictly forbidden to move products directly by pulling the power cord.
- It is forbidden to use products as thermal insulation and heating equipment for animals and plants.
- If the product fails, please turn it off immediately and unplug the power cord to send it to a nearby special repair. Please ask a professional to repair it. Non-full-time personnel or unauthorized repairers shall not do so on their own repair or retrofit this machine.
- You need to check whether the power cord and plug are damaged before use. If the power cord is damaged. In order to avoid danger, it must be replaced by professionals from the manufacturer, its maintenance department or similar departments.
- Before use, please check whether the voltage used is the same as the voltage marked on the product.
- When the product is in use, the power cord should be placed behind the body. Putting it in front of the body will overheat it. Damage, and even a safety accident occurred.

⚠ Matters that may cause minor injury or property damage

- Do not use the product with a programmer, timer, or other device with automatic power-on because covering or incorrect placement of the product can cause a fire.
- Children, elderly or patients who have lost their ability to take care of themselves, please use the product under the supervision of an adult to prevent accidents.
- When using the product, to avoid burns, please do not let bare skin directly touch the surface of the air outlet.